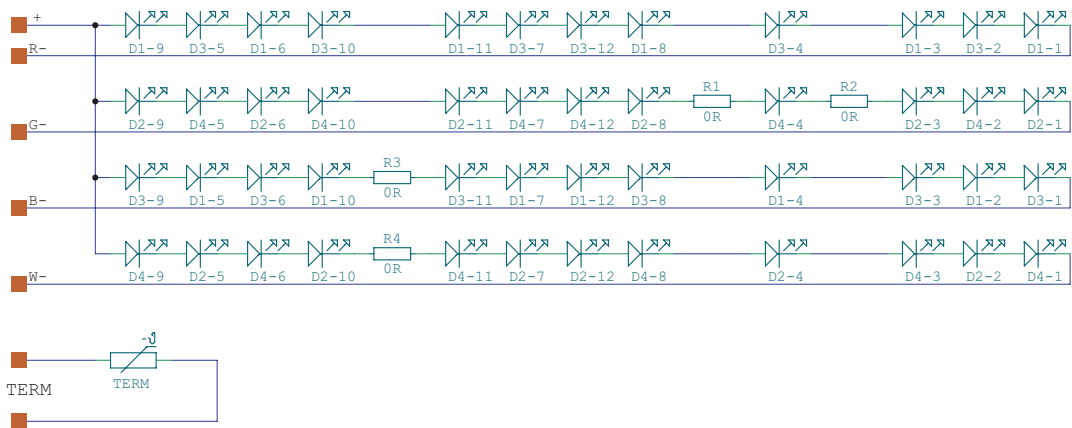
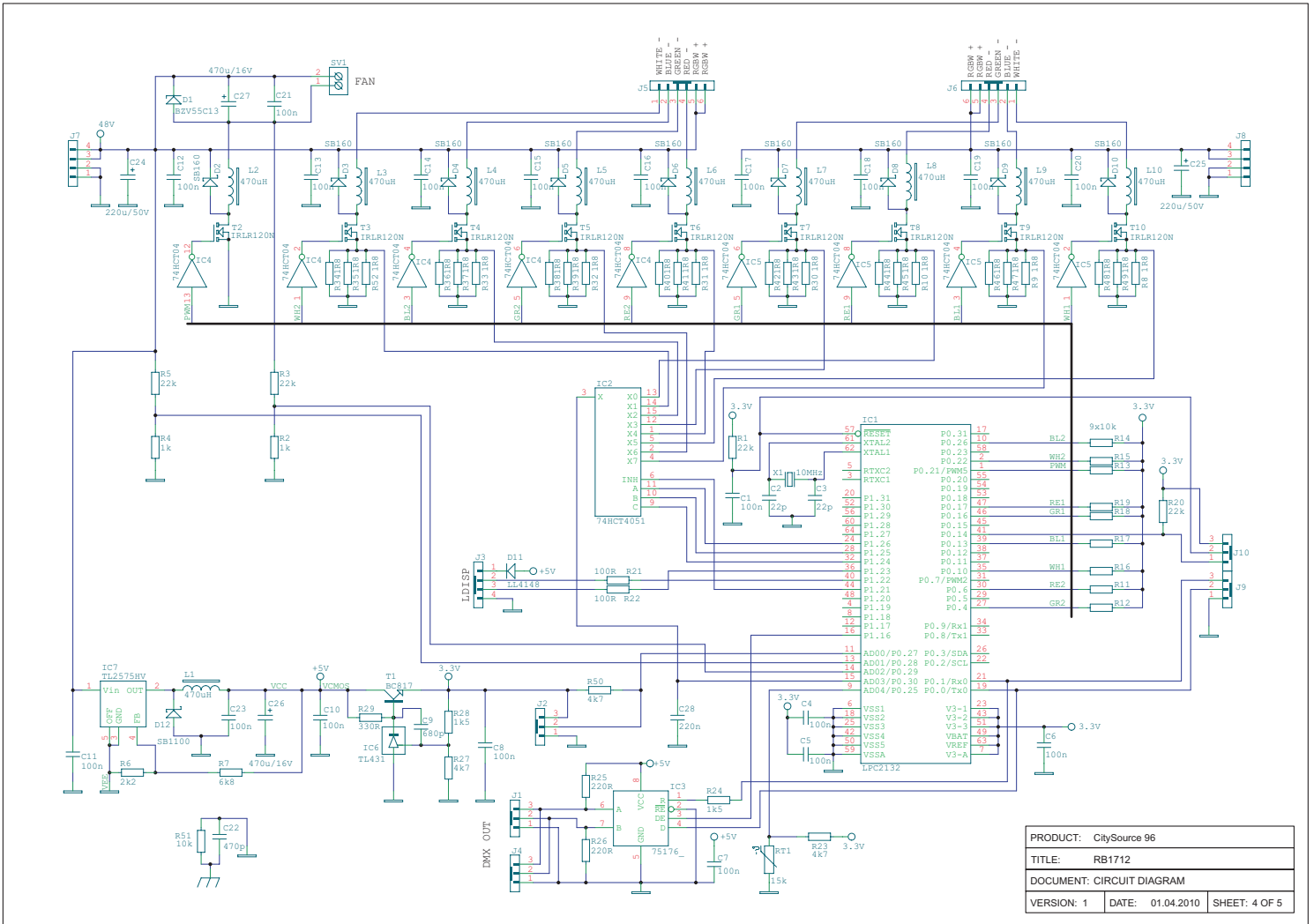


 —
 TERM
 —

PRODUCT: CitySource 96		
TITLE: RB1695 R 48 RGBCW		
DOCUMENT: CIRCUIT DIAGRAM		
VERSION: 1	DATE: 01.04.2010	SHEET: 2 OF 5

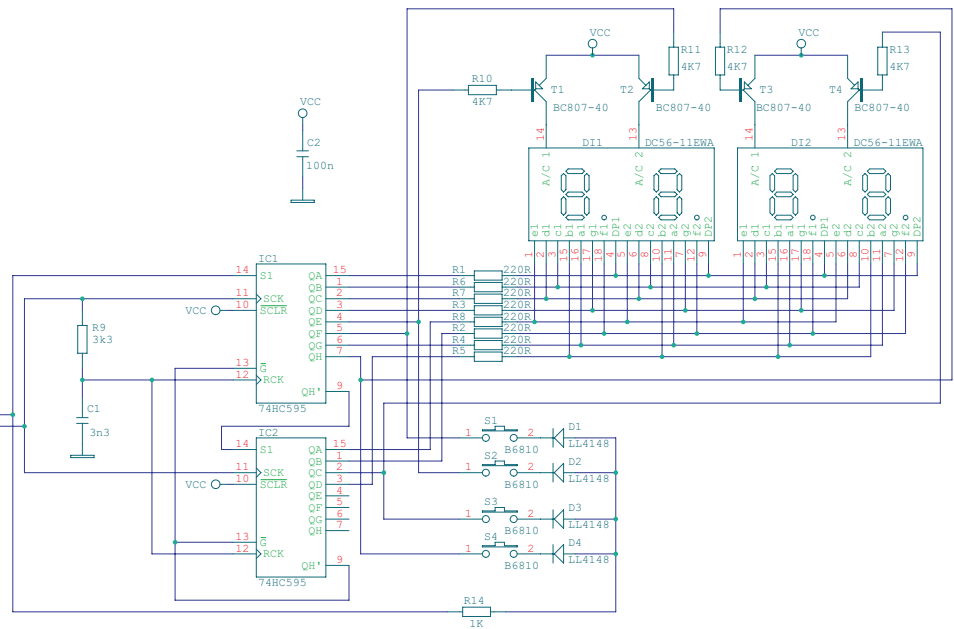


PRODUCT: CitySource 96		
TITLE: RB1696 LT 48 RGBCW		
DOCUMENT: CIRCUIT DIAGRAM		
VERSION: 1	DATE: 01.04.2010	SHEET: 3 OF 5



PRODUCT:	CitySource 96
TITLE:	RB1712
DOCUMENT:	CIRCUIT DIAGRAM
VERSION:	1
DATE:	01.04.2010
SHEET:	4 OF 5

- 1 - Vcc +5V
- 2 - DATA
- 3 - CLOCK
- 4 - GND



PRODUCT: CitySource 96		
TITLE: EZND11 BR red		
DOCUMENT: CIRCUIT DIAGRAM		
VERSION: 1	DATE: 01.04.2010	SHEET: 5 OF 5